



## SINGLE CHAMBER FACILITIES FOR AQUEOUS MEDIA

- Versatile cleaning facility with compact external dimensions
- Near complete separation of cleaning and rinsing media to ensure minimum carry-over and long bath service life
- Optimum energy consumption
- Best possible cleaning assistance (optional) ensured by means of high performance ultrasound single oscillators or pressure media circulation
- Floor tray with integrated leakage warning probe in compliance with the Water Resources Act ensures a high degree of operating safety



*Single chamber flooding cleaning facility*

### FIELDS OF APPLICATION

Aqueous cleaning agents are excellent suitable for degreasing tasks for medium oil input and for removing emulsions. If the facility is correspondingly equipped, ultra-fine cleaning tasks are also easy to perform.

*experienced  
competent  
environment-conscious*



## FACILITY TECHNOLOGY

Their compact external dimensions and optionally available expansion units, like ultrasound, pressure media circulation and hot air and/or vacuum drying, make the single chamber flooding cleaning facilities the all-round solution for practically all applications. The storage of the treatment media in separate tanks (lagged) ensures minimum energy consumption.

The parts placed in baskets are cleaned in a working chamber. Cleaning involves flooding the working chamber with aqueous cleaning agent followed by subsequent rinsing. Drying can be effected via body part temperature, hot air and/or vacuum.

Bath conditioning is effected as required using filters for particle separation, oil separators to maintain the cleaning media and evaporators or complete demin-water recirculation facilities as part of rinsing bath servicing.

Add-ons are available to increase the cleaning result, e.g., ultrasound or spraying, and possible during every treatment stage.

## EQUIPMENT VARIANTS

- Special sizes according to customer requirements
- Automatic charging and discharging device
- Ultrasound, media circulation or pressure media circulation device
- Additional storage tanks for multistage cleaning, rinsing or, if required, for passivation or preservation
- Oil separator, evaporator or complete demin-water recirculation facilities to extend the bath service life

## TECHNICAL DETAILS

	REF 048-032-020	REF 067-048-030
Basket size [mm]	530x320x200	670x480x300
Throughput [Ch/h]*	approx. 4-10	approx. 4-10
Batch weight [kg]	50	120
Set-up area of basic facility [mm]	3.400 x 2.000	3.700 x 2.200
Connected load [kW]*	approx. 28-48	approx. 44-74

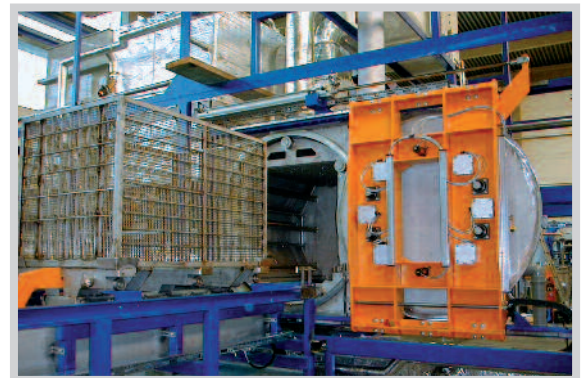
\* depending on process

## OUR DELIVERY RANGE

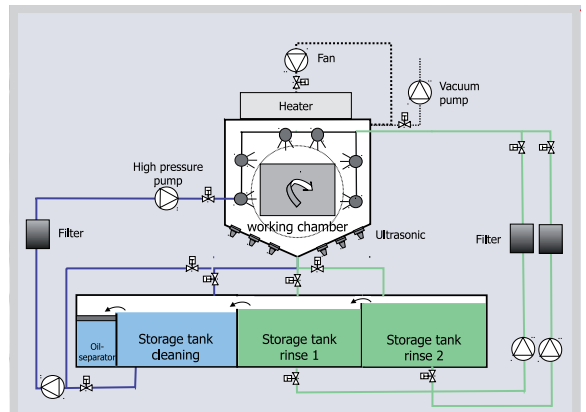
Cleaning and degreasing facilities for aqueous media, halogenated and nonhalogenated solvents.



Single chamber facility with automatic charging and discharging device



Special facility for EUR mesh box pallets



Schematic drawing - process sequence of the single chamber flooding facility



Our factory premises in the Enz Valley